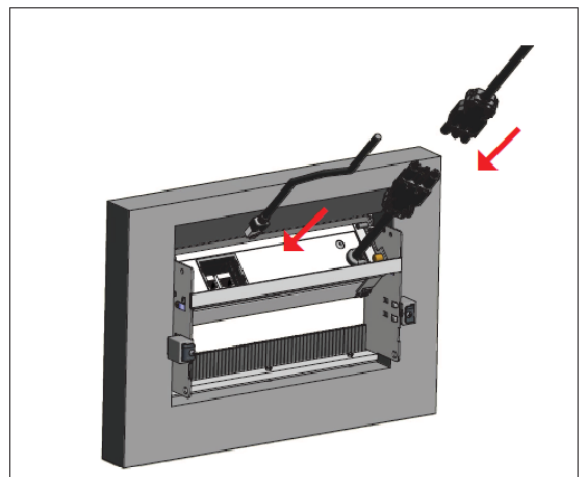
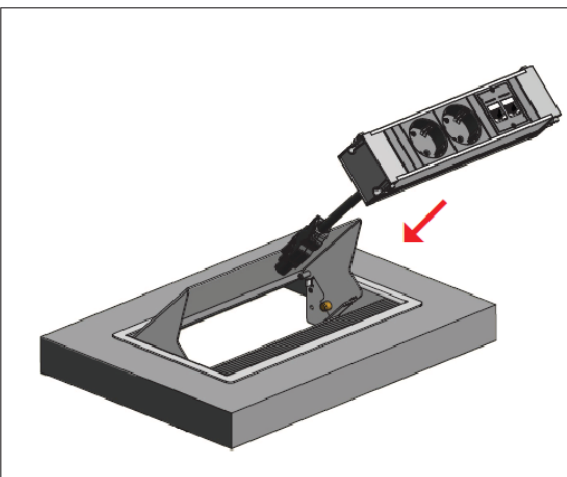
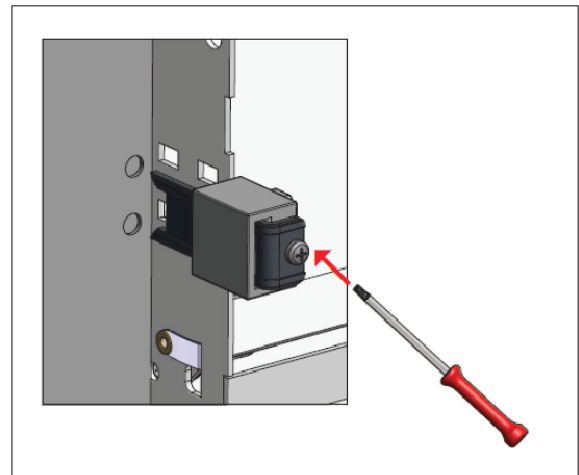
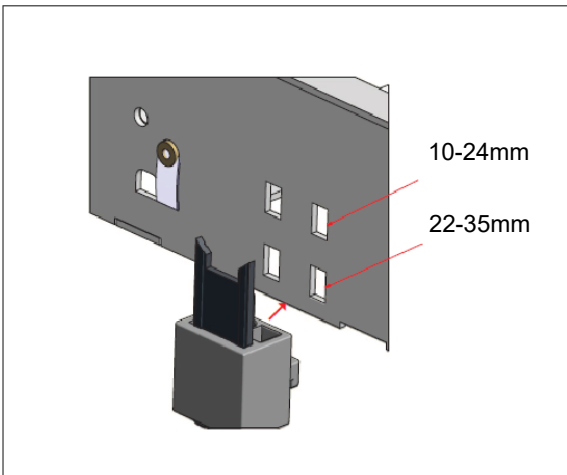
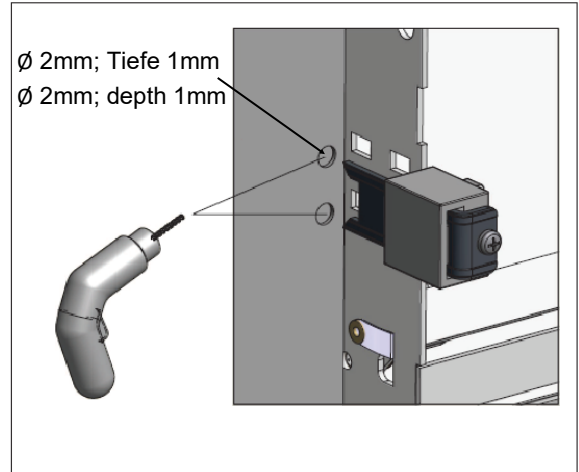
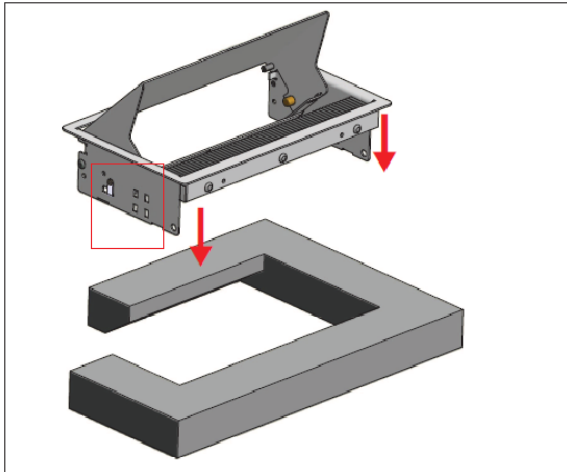
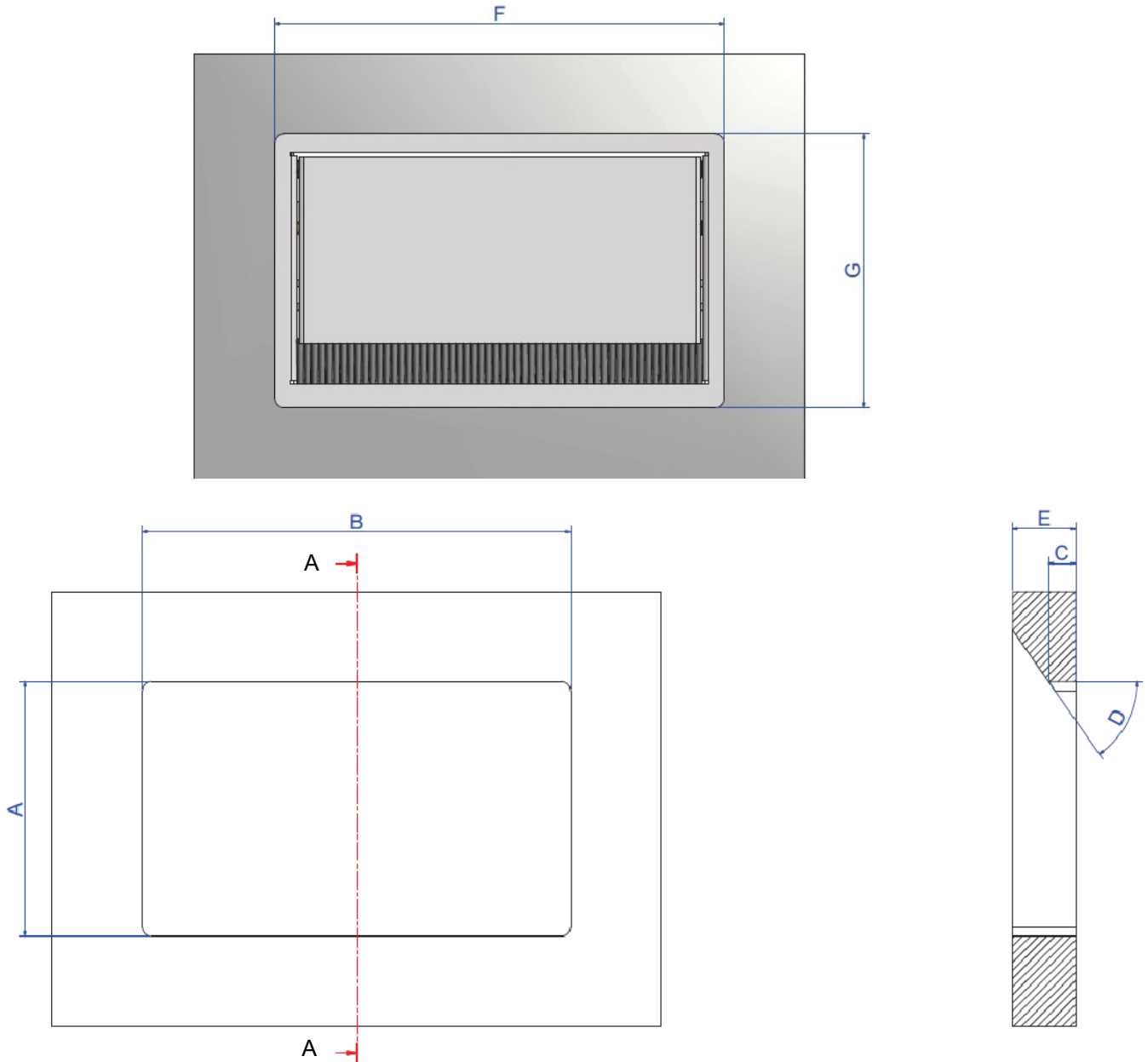


DE Montageanleitung  
EN Mounting instructions  
FR Instructions de montage

ES Instrucciones de montaje  
RO Instrucțiuni de montare  
IT Istruzioni per l'installazione





Tisch-Ausschnittmaße / Table cut-out dimensions

|     | A     | B       | C    | D   | E       | F       | G     |
|-----|-------|---------|------|-----|---------|---------|-------|
| XS  | 138mm | 187,5mm | 15mm | 55° | 10-35mm | 205,5mm | 151mm |
| M/L | 138mm | 315mm   | 15mm | 55° | 10-35mm | 333mm   | 151mm |

Achtung: Toleranz für alle A-/B-Maße = + 0,50mm  
 Attention: Tolerance for all A-/B-dimensions = + 0,50mm

Ausschnitt für flächenbündige  
 Version dem Produkt anpassen  
 Eckenradius 5mm

Adapt table section to product for  
 flush-mounted version  
 radius 5mm